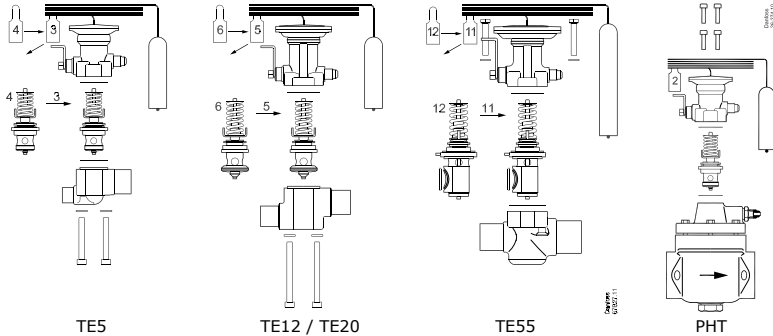


# Instructions

067R9609

067R9609

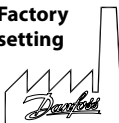
## Orifice for TE 5 → 55 and PHT



Old orifice			New orifice			Nominal capacity								Factory settings
Type	Orifice No.	Old code	Type	New Code	Orifice no.	R134a		R404A/507		R407C		R22		Y-value
TE5	1	067B2089	TE5	<b>067B2788</b>	<b>0.5</b>	1.91	6.68	2.33	8.17	3.06	10.70	2.97	10.40	26
	2	067B2090		<b>067B2789</b>	<b>1</b>	3.49	12.20	4.26	14.90	5.60	19.60	5.46	19.10	26
	3	067B2091		<b>067B2790</b>	<b>2</b>	4.86	17.00	5.86	20.50	7.77	27.20	7.51	26.30	26
	4	067B2092		<b>067B2791</b>	<b>3</b>	6.23	21.80	7.51	26.30	9.94	34.80	9.66	33.80	26
TE5	1	067B2005 <sup>1)</sup>	TE12	<b>067B2792</b>	<b>4</b>	8.49	29.70	10.20	35.70	13.50	47.40	13.10	46.00	26
	2	067B2006 <sup>1)</sup>		<b>067B2789<sup>1)</sup></b>	<b>2</b>	4.86	17.00	5.86	20.50	7.77	27.20	7.51	26.30	26
	3	067B2007 <sup>1)</sup>		<b>067B2791<sup>1)</sup></b>	<b>3</b>	6.23	21.80	7.51	26.30	9.94	34.80	9.66	33.80	26
	4	067B2008		<b>067B2792<sup>1)</sup></b>	<b>4</b>	8.49	29.70	10.20	35.70	13.50	47.40	13.10	46.00	26
TE20	1	067B2172	TE20	<b>067B2708</b>	<b>5</b>	10.80	37.70	14.50	50.70	15.90	55.80	16.30	57.20	37
	1	067B2170		<b>067B2709</b>	<b>6</b>	14.30	50.10	18.30	64.00	21.10	73.90	21.80	76.30	37
	1	067B2175		<b>067B2710</b>	<b>7</b>	18.80	65.70	23.20	81.30	26.90	94.30	27.90	97.80	37
				<b>067B2771</b>	<b>8</b>	22.20	77.80	24.90	87.10	33.70	118.00	36.60	128.00	34
TE55	1	067G2005	TE55	<b>067B2771</b>	<b>8</b>	22.20	77.80	24.90	87.10	33.70	118.00	36.60	128.00	34
	1	067G2001		<b>067B2771</b>	<b>8</b>	22.20	77.80	24.90	87.10	33.70	118.00	36.60	128.00	34
	1	067G2011		<b>067B2773</b>	<b>9</b>	26.40	93.30	29.10	102.00	38.90	136.00	42.90	150.00	34
	2	067G2006		<b>067G2705</b>	<b>9B</b>	For specifications, please contact Danfoss								
2	067G2002		<b>067G2701</b>	<b>10</b>	31.70	111.00	36.60	128.00	46.00	161.00	48.30	169.00	32,5	
2	067G2012		<b>067G2704</b>	<b>11</b>	34.90	122.00	39.40	138.00	50.00	175.00	52.60	184.00	32,5	
				<b>067G2704</b>	<b>11</b>	34.90	122.00	39.40	138.00	50.00	175.00	52.60	184.00	32,5
				<b>067G2707</b>	<b>12</b>	38.30	134.00	43.40	152.00	54.60	191.00	57.70	202.00	32,5
				<b>067G2710</b>	<b>13</b>	47.40	166.00	52.00	182.00	66.30	232.00	70.00	245.00	32,5
				<b>067G2710</b>	<b>13</b>	47.40	166.00	52.00	182.00	66.30	232.00	70.00	245.00	32,5

1) change to TE5 valve body and element

**Factory setting**



**SS = 4°C (7°F)**

